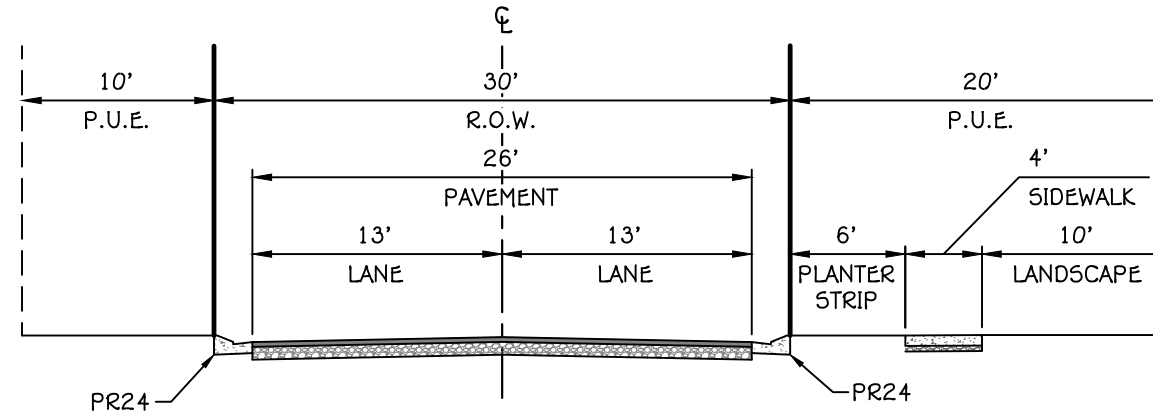
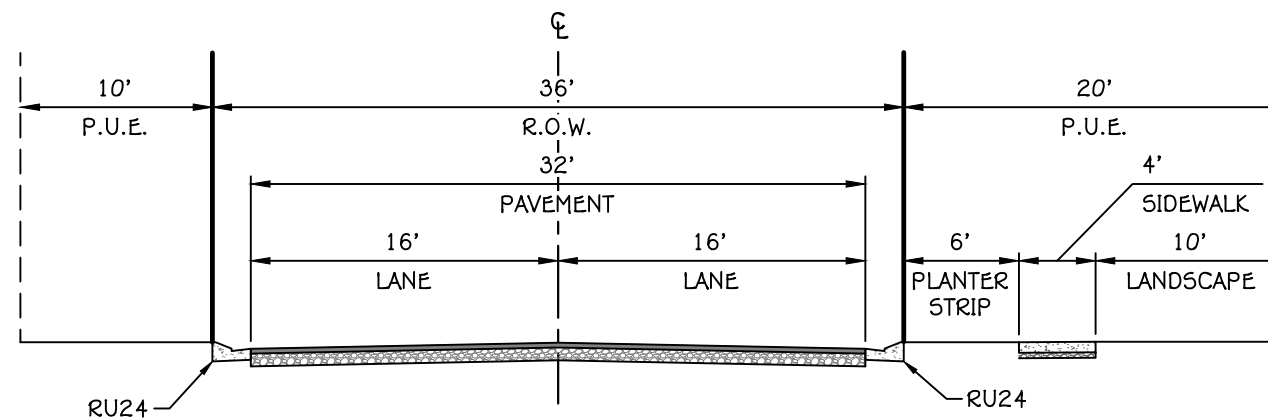


* NO ON-STREET PARKING (SEE STRIPING & SIGNAGE)
43' STANDARD (PUBLIC)
 SCALE: 1" = 10'



* NO ON-STREET PARKING (SEE STRIPING & SIGNAGE)
FIRELIGHT 30' OPTION (PRIVATE)
 SCALE: 1" = 10'



* NO ON-STREET PARKING (SEE STRIPING & SIGNAGE)
FIRELIGHT 36' OPTION (PRIVATE)
 SCALE: 1" = 10'

REVISIONS	
NO.	DESCRIPTION

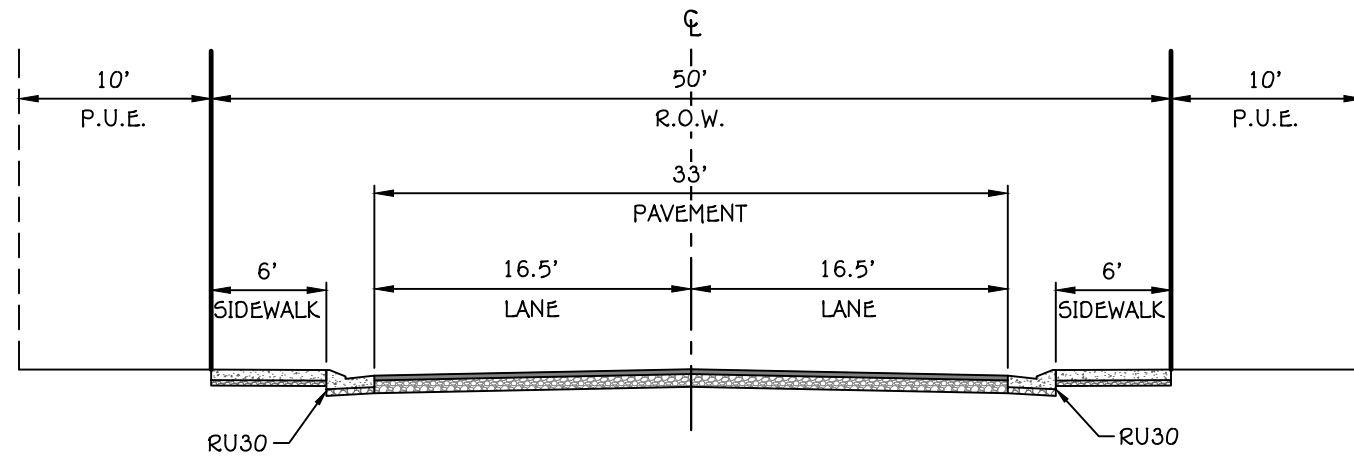
**PRELIMINARY
 NOT FOR
 CONSTRUCTION**



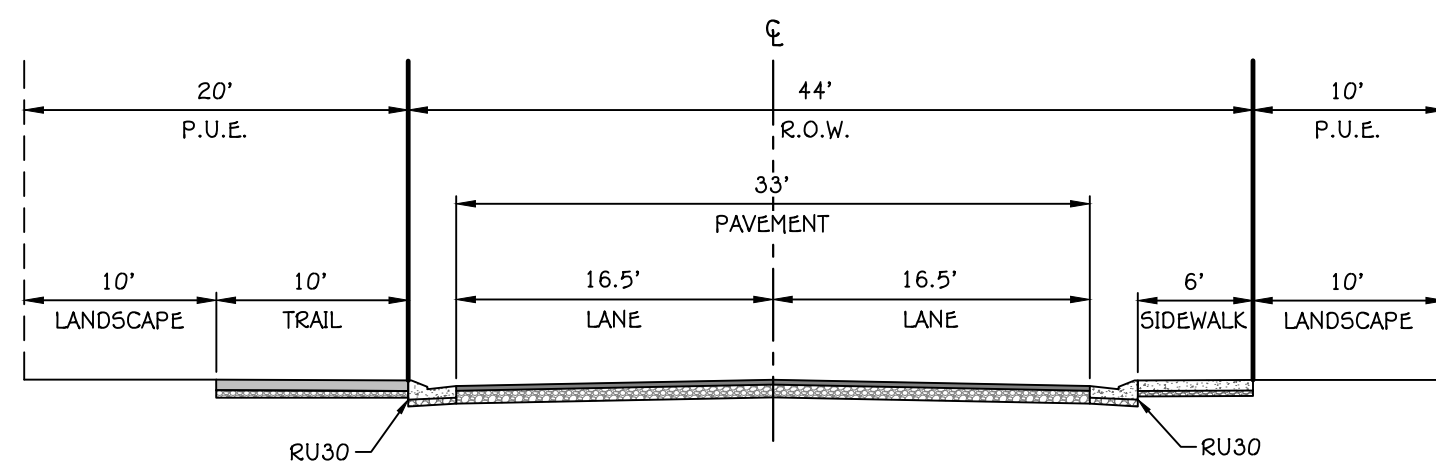
**FIRELIGHT
 TOQUERVILLE, UTAH
 PROPOSED STREET SECTIONS I**
 MPDO AMENDMENT

JOB #	506-0
DRAWN BY:	SSA
CHECKED BY:	ARC
DATE:	06/02/2026

TS-1



50' STANDARD (PUBLIC)
SCALE: 1" = 10'



*** MODIFIED 50' STANDARD
FIRELIGHT 44' OPTION WITH TRAIL (PUBLIC)**
SCALE: 1" = 10'

REVISIONS	
NO.	DESCRIPTION

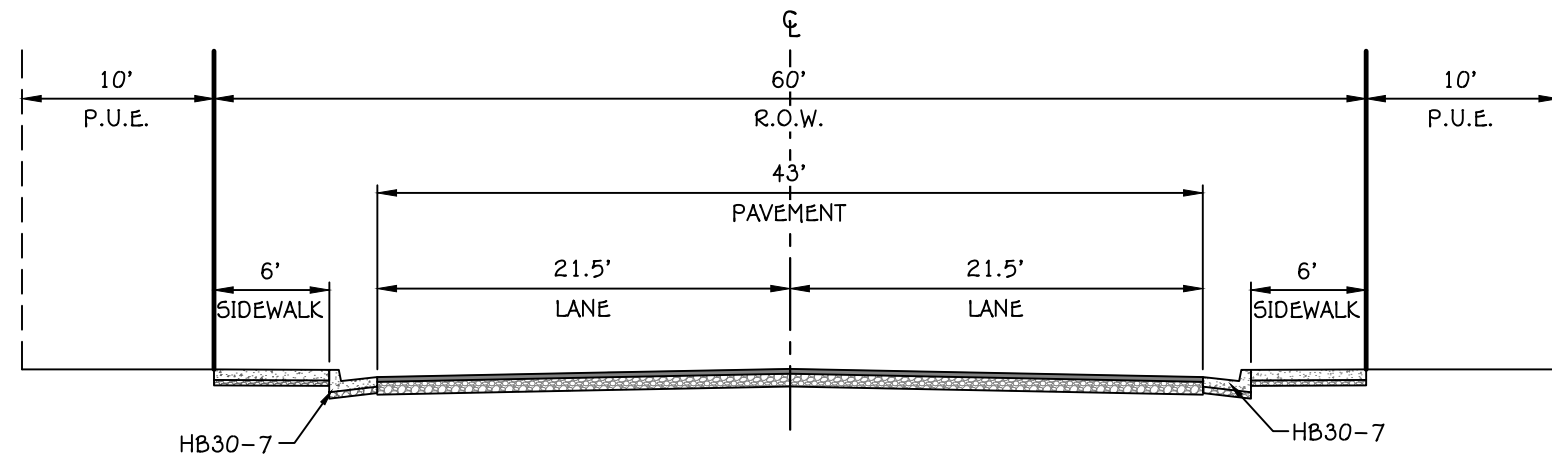
**PRELIMINARY
NOT FOR
CONSTRUCTION**



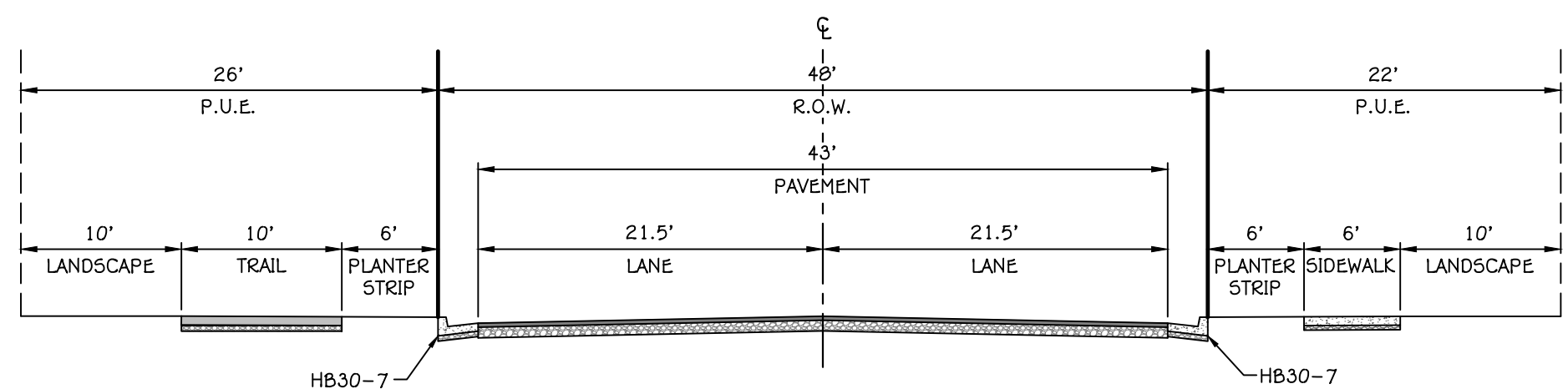
**FIRELIGHT
TOQUERVILLE, UTAH
PROPOSED STREET SECTIONS II**
MPDO AMENDMENT

JOB #	506-0
DRAWN BY:	SSA
CHECKED BY:	ARC
DATE:	06/02/2026

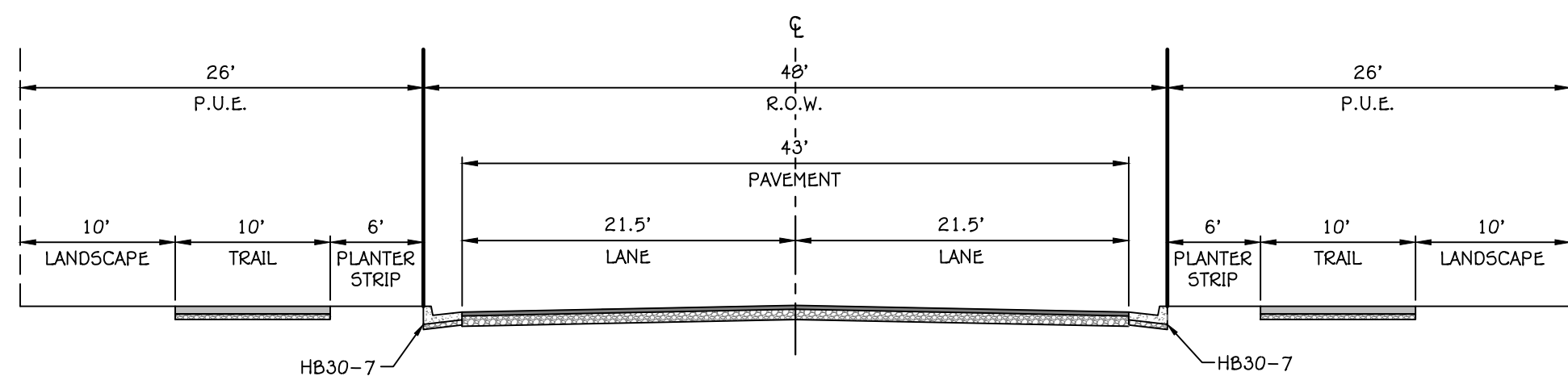
TS-2
SHEET: 2 OF 5



60' STANDARD (PUBLIC)
SCALE: 1" = 10'



*** MODIFIED 60' STANDARD
FIRELIGHT 48' OPTION WITH TRAIL (PUBLIC)**
SCALE: 1" = 10'



*** MODIFIED 60' STANDARD
FIRELIGHT 48' OPTION WITH TRAILS (PUBLIC)**
SCALE: 1" = 10'

REVISIONS	
NO.	DESCRIPTION

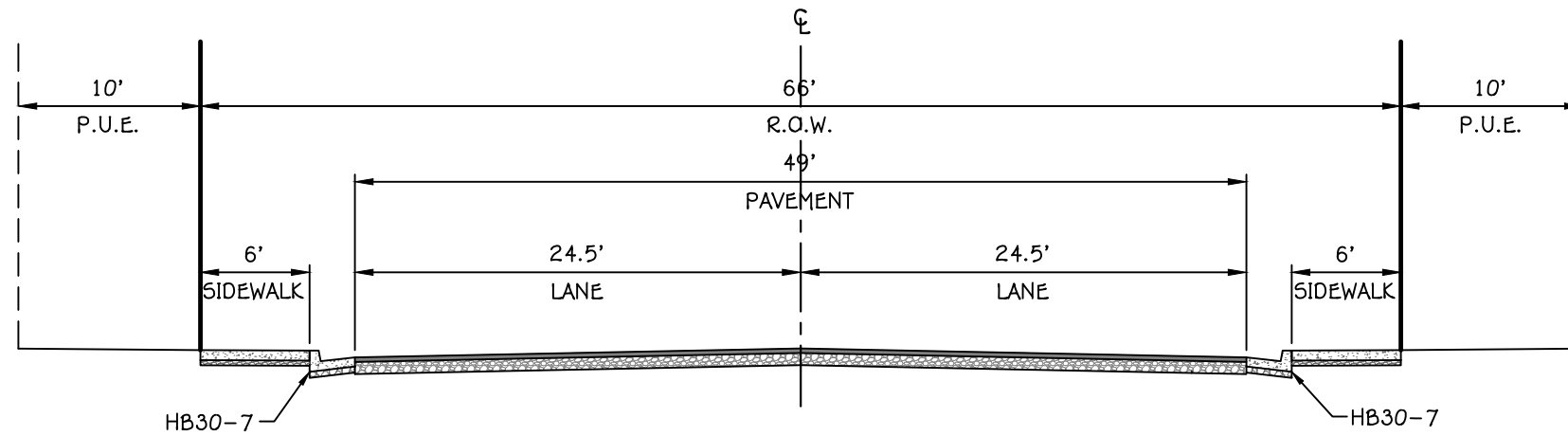
**PRELIMINARY
NOT FOR
CONSTRUCTION**



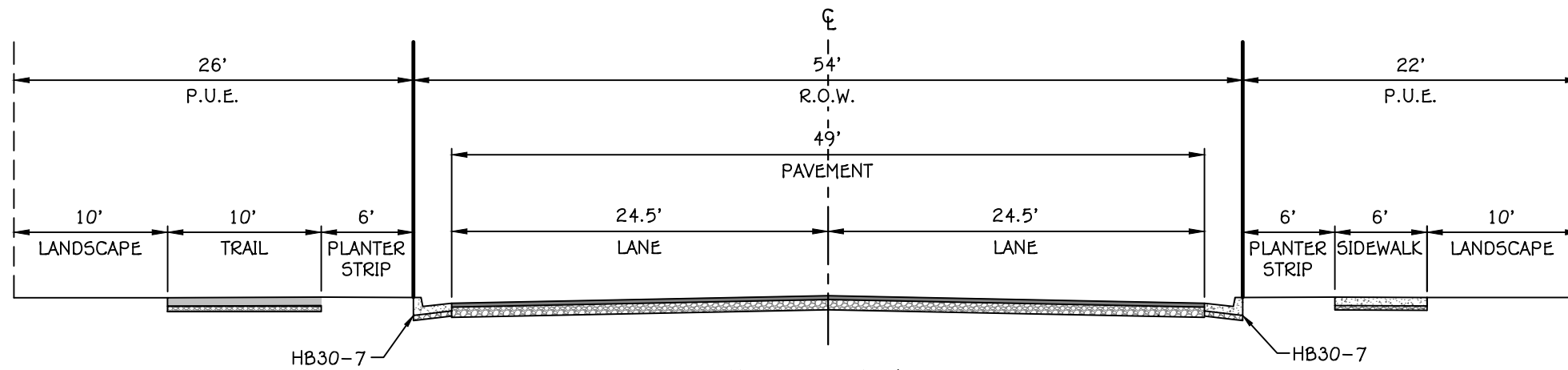
**FIRELIGHT
TOQUERVILLE, UTAH
PROPOSED STREET SECTIONS III
MPDO AMENDMENT**

JOB #	506-0
DRAWN BY:	SSA
CHECKED BY:	ARC
DATE:	06/02/2026

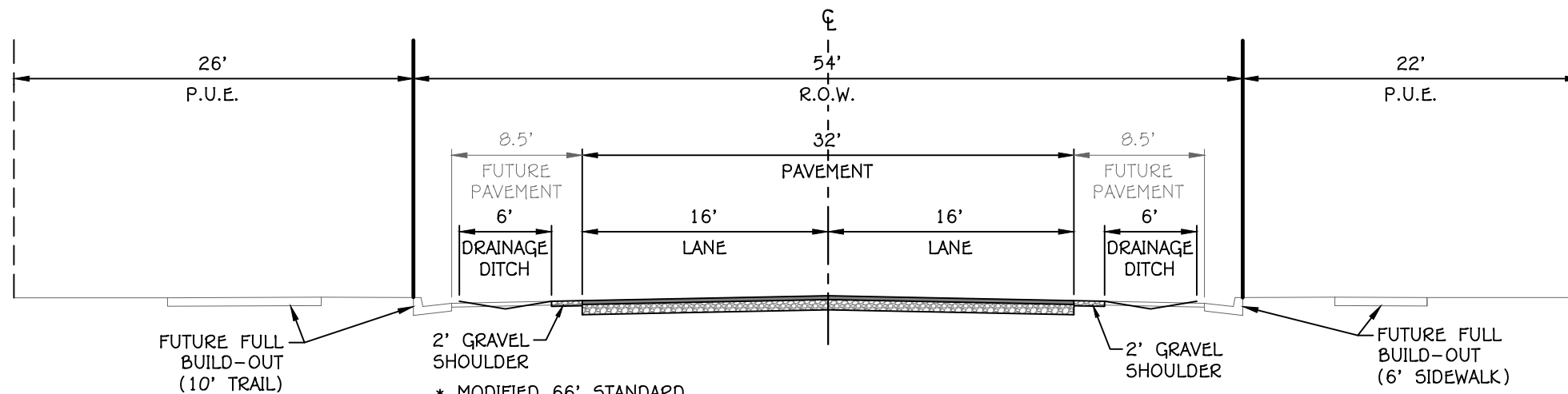
TS-3
SHEET: 3 OF 5



66" STANDARD (PUBLIC)
SCALE: 1" = 10'



*** MODIFIED 66' STANDARD
FIRELIGHT 54' OPTION WITH TRAIL (PUBLIC)**
SCALE: 1" = 10'



*** MODIFIED 66' STANDARD
FIRELIGHT 54' OPTION TEMPORARY SECTION (PUBLIC)**
SCALE: 1" = 10'

NO.	DATE	DESCRIPTION

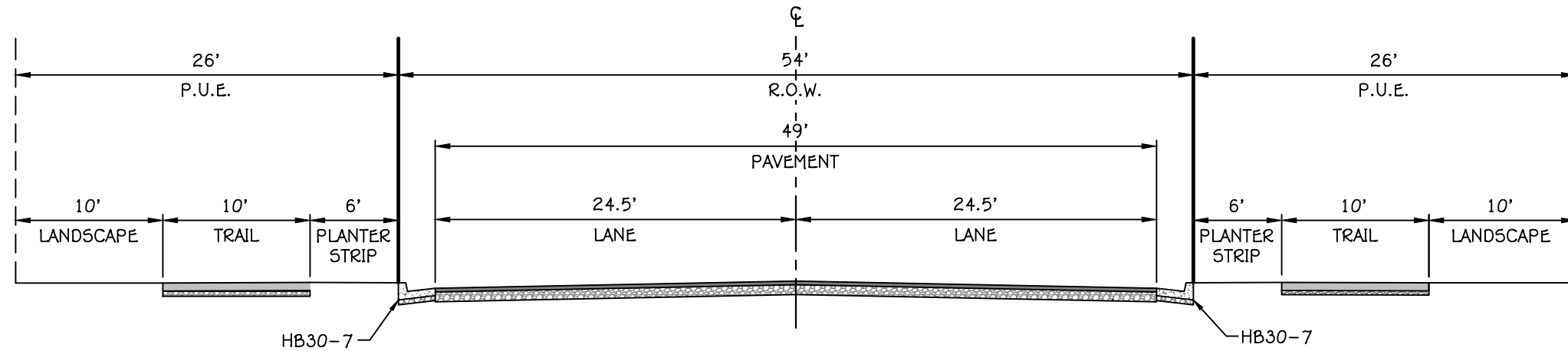
**PRELIMINARY
NOT FOR
CONSTRUCTION**



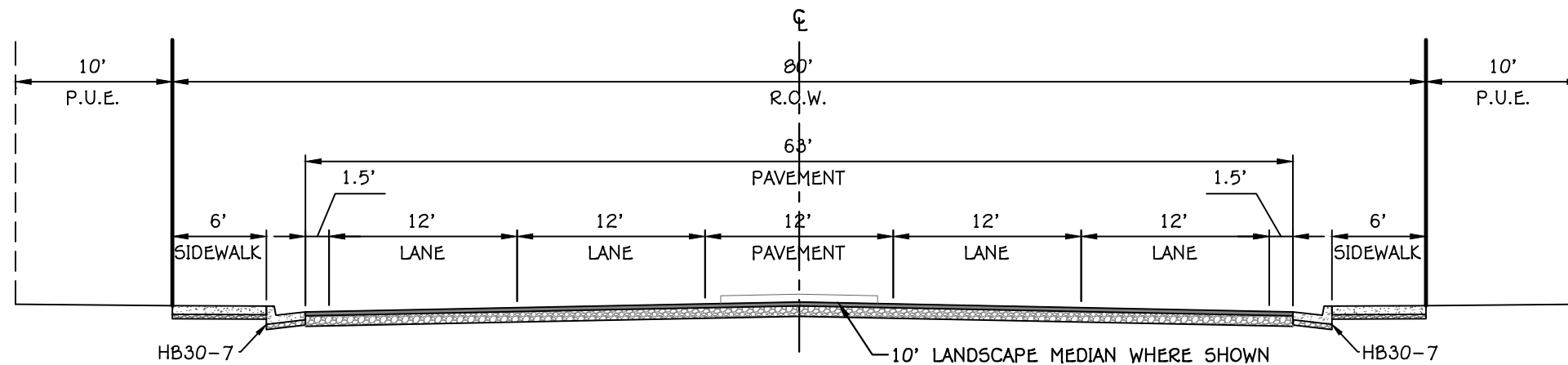
**FIRELIGHT
TOQUERVILLE, UTAH
PROPOSED STREET SECTIONS IV
MPDO AMENDMENT**

JOB #	506-0
DRAWN BY:	SSA
CHECKED BY:	ARC
DATE:	06/02/2026

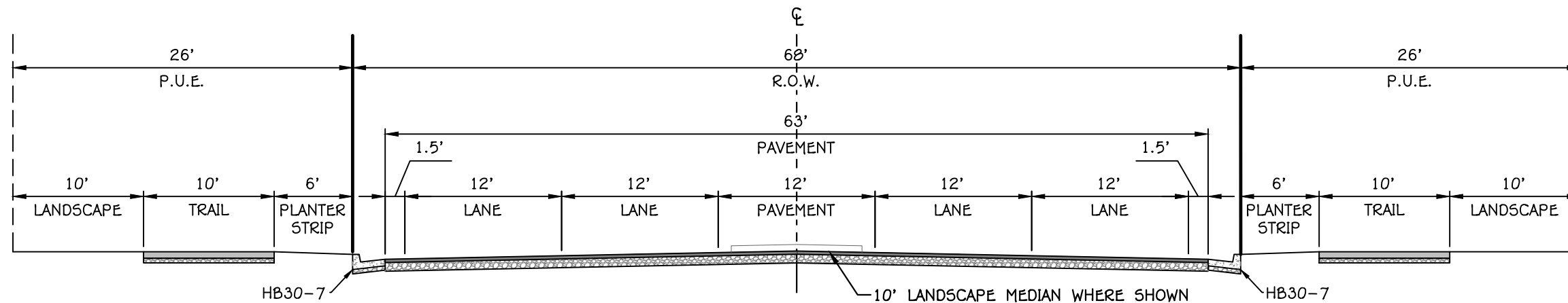
TS-4
SHEET: 4 OF 5



* MODIFIED 66' STANDARD
FIRELIGHT 54' OPTION WITH TRAIL (PUBLIC)
 SCALE: 1" = 10'



80' STANDARD (PUBLIC)
 SCALE: 1" = 10'



* MODIFIED 80' STANDARD
FIRELIGHT 68' OPTION WITH TRAILS (PUBLIC)
 SCALE: 1" = 10'

NO.	DATE	DESCRIPTION

**PRELIMINARY
 NOT FOR
 CONSTRUCTION**



FIRELIGHT
 TOQUERVILLE, UTAH
PROPOSED STREET SECTIONS V
 MPDO AMENDMENT

JOB #	506-0
DRAWN BY:	SSA
CHECKED BY:	ARC
DATE:	06/02/2026

TS-5

SHEET:	5	OF	5
--------	---	----	---