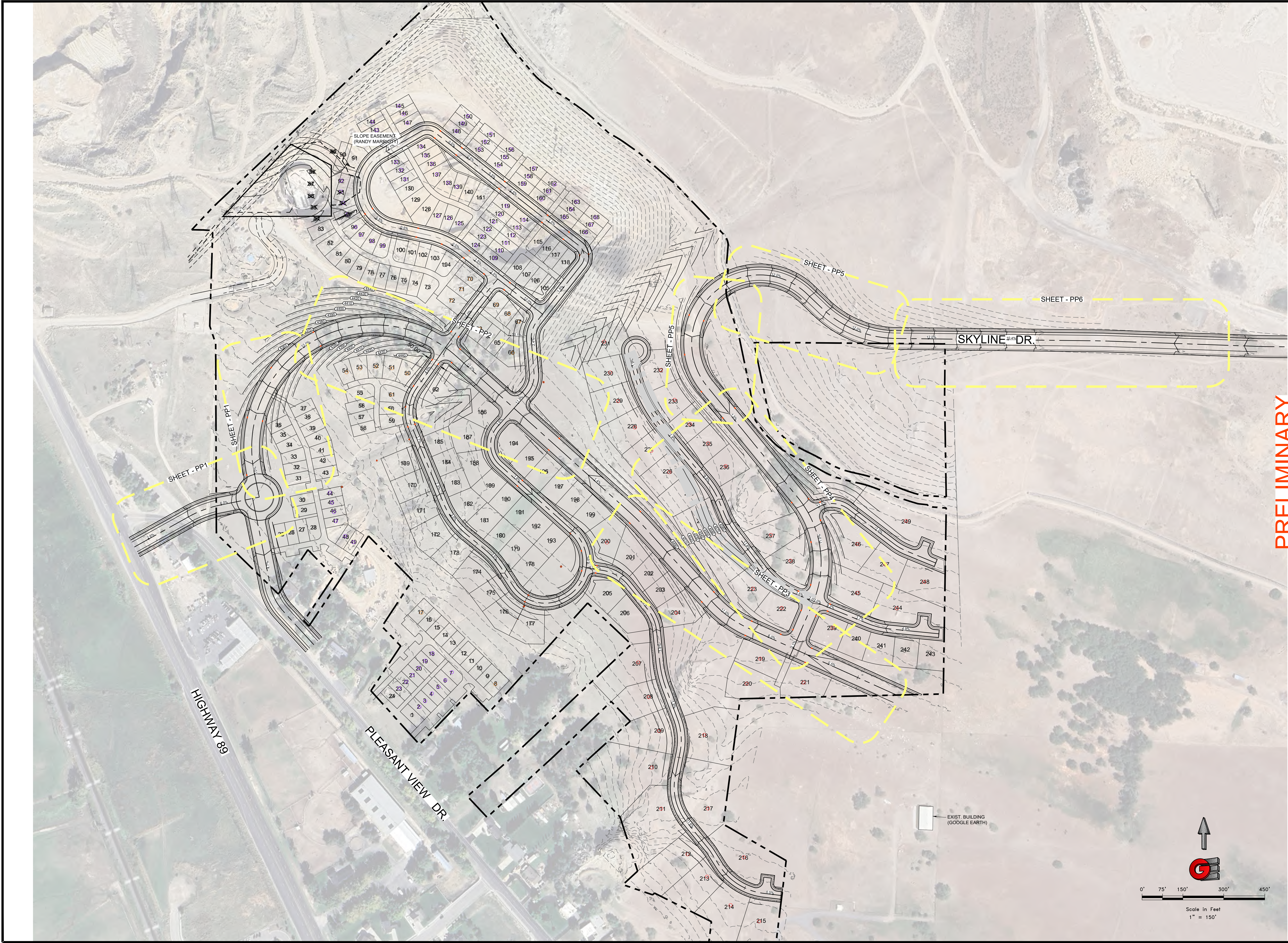


13205 - Web Management 12-15-2024 10:52:00 AM



PRELIMINARY
NOT FOR CONSTRUCTION

REVISIONS	DATE	DESCRIPTION

SCALE	1" = 150'
DATE	4-19-2024
DESIGN	WJS
DRAWN	WJS
CHECKED	TJN

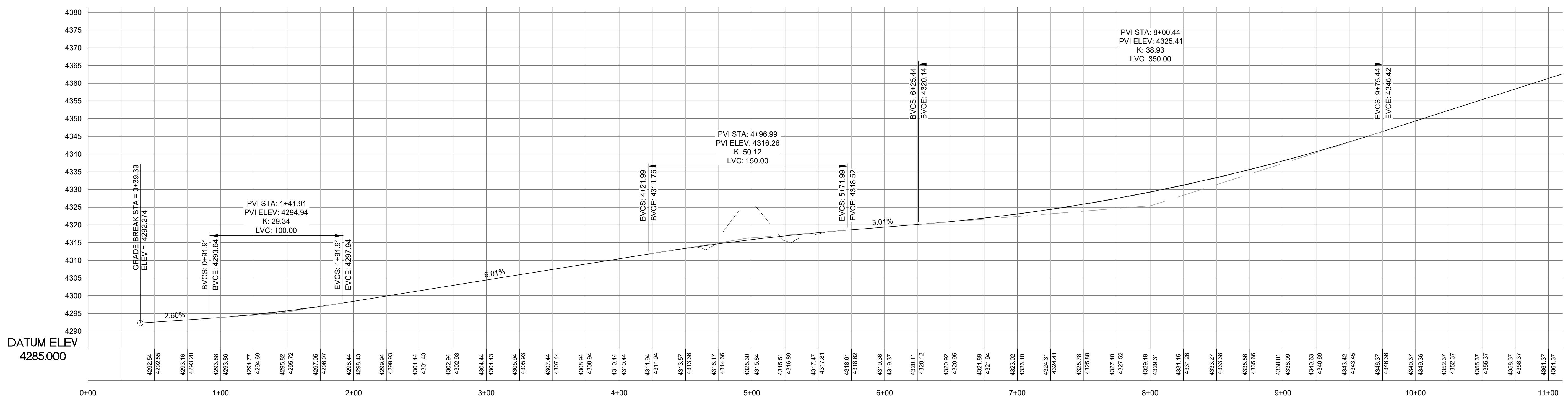
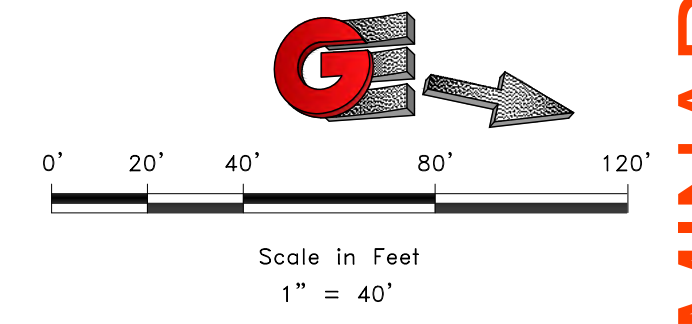
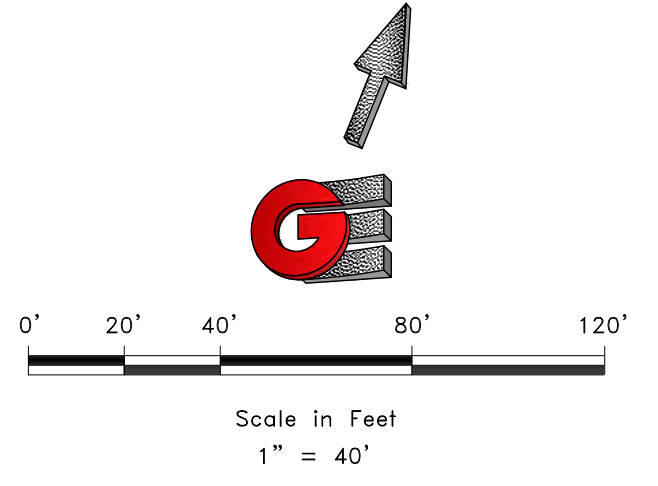
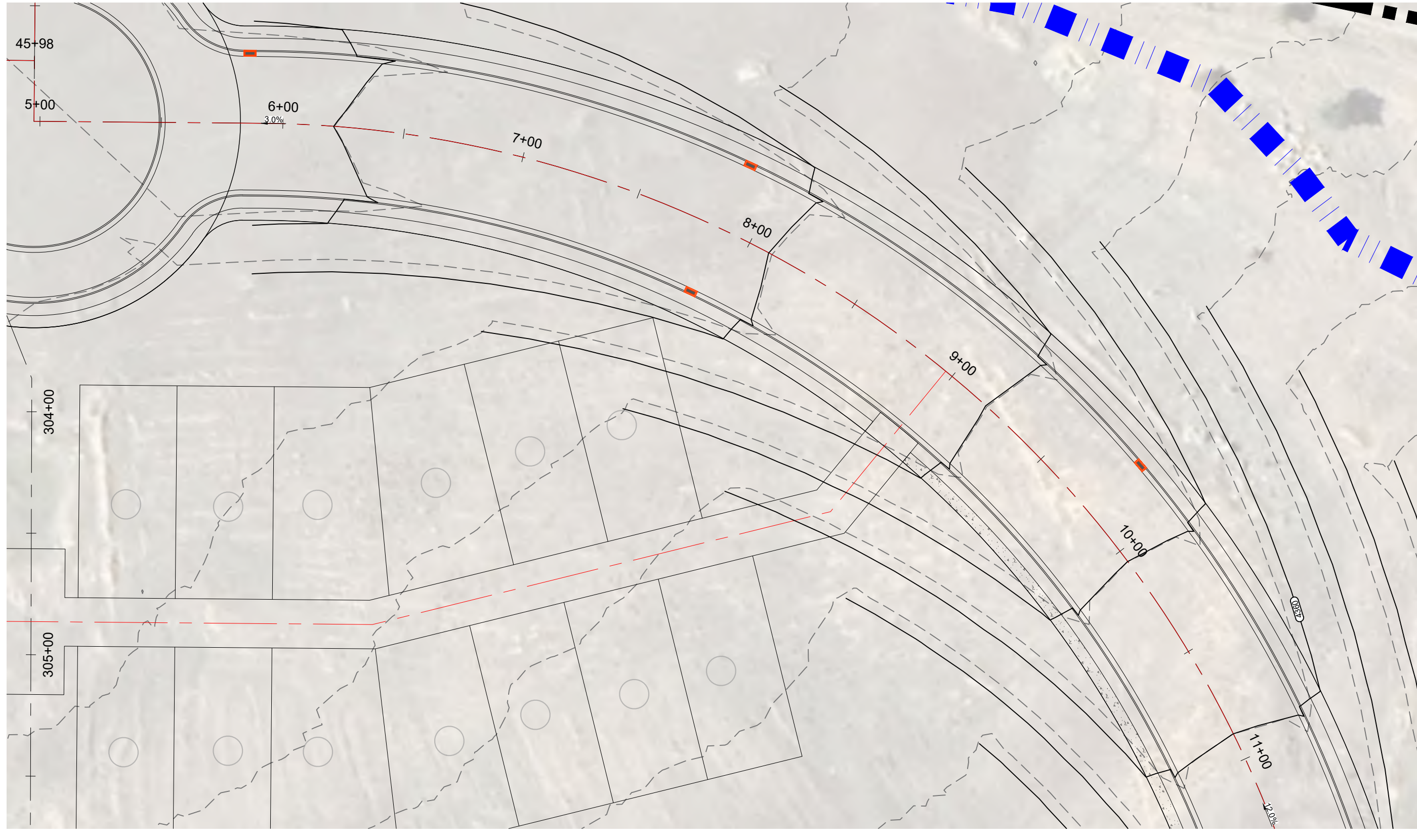
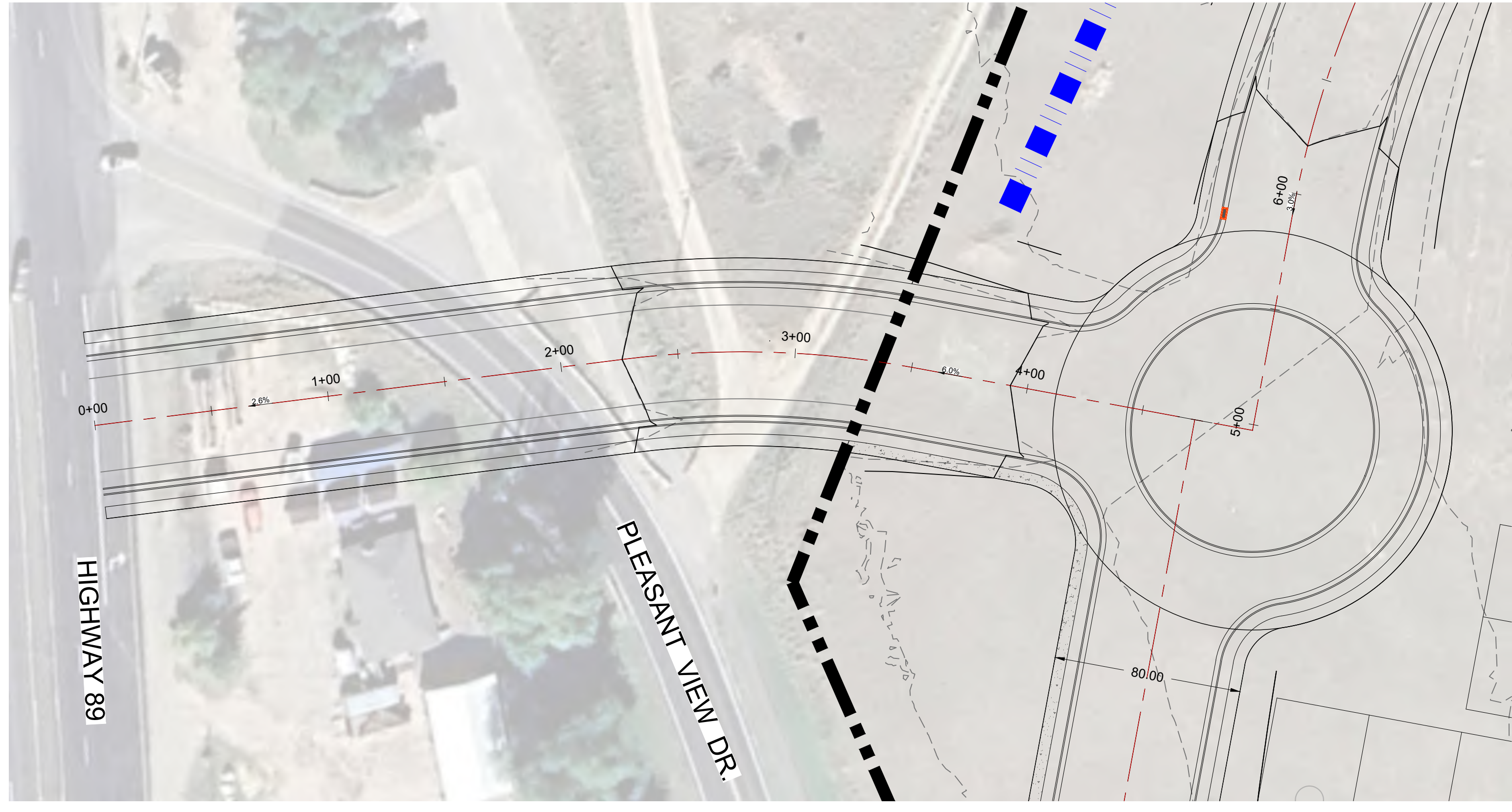
PRELIMINARY GRADING EXHIBIT
WEST VILLAGE
MASTER PLAN V1
PLEASANT VIEW CITY, WEBER COUNTY, UTAH

GARDNER ENGINEERING
 CIVIL & LAND PLANNING
 MUNICIPAL & LAND SURVEYING
 1580 W 2100S, WEST HAVEN, UT 84401
 P 801.476.0202 F 801.476.0066



CE1-01

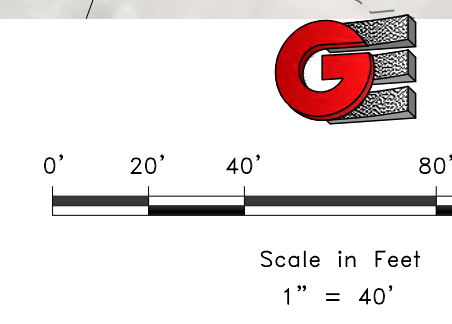
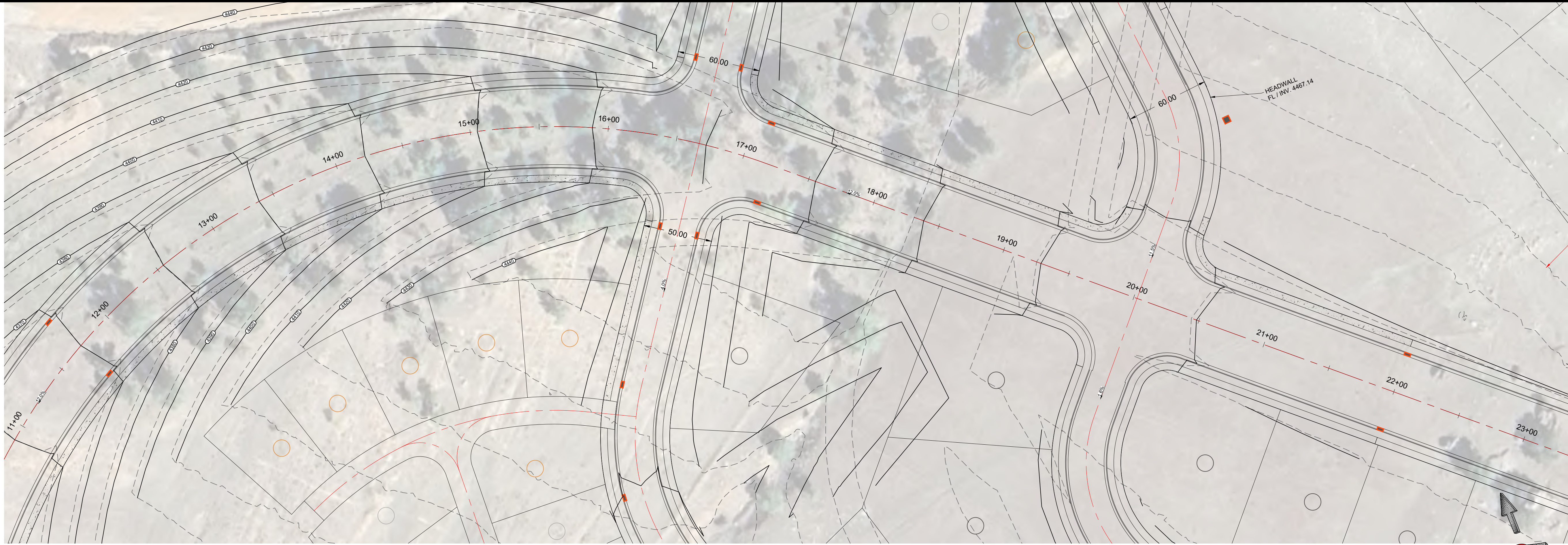
DWG: R13205 - WED MANAGEMENT 12-15-2024 10:52:00 AM



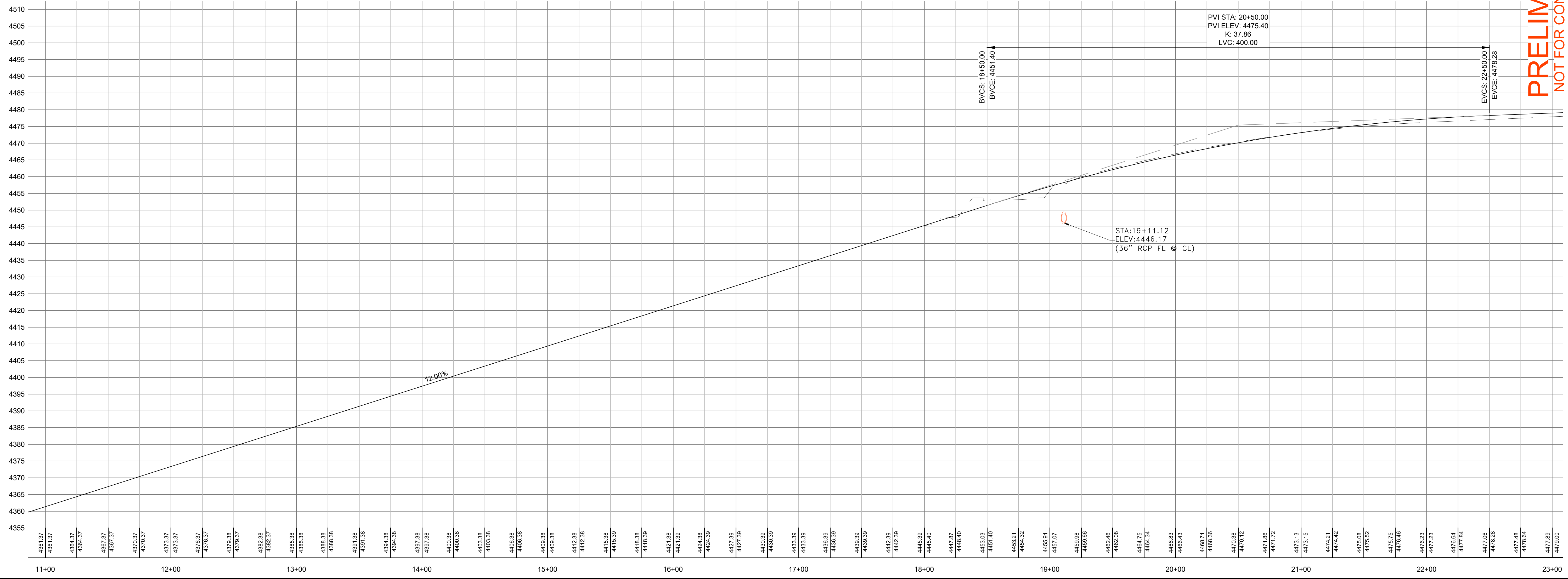
PRELIMINARY
NOT FOR CONSTRUCTION

<p>SCALE: 1" = 40'</p> <p>DATE: 4-9-2026</p> <p>DESIGN: WJS</p> <p>DRAWN: WJS</p> <p>CHECKED: TMN</p>	
REVISIONS	DESCRIPTION
DATE	
<p>PRELIMINARY PROFILE</p> <p>WEST VILLAGE</p> <p>MASTER PLAN V1</p> <p>PLEASANT VIEW CITY, WEBER COUNTY, UTAH</p>	
<p>GARDNER ENGINEERING</p> <p>CIVIL & LAND PLANNING</p> <p>MUNICIPAL & LAND SURVEYING</p> <p>1580 W 2100S, WEST HAVEN, UT 84401</p> <p>P 801.476.0202 F 801.476.0066</p>	
<p>PP1</p>	

4/3/2026 10:00 AM Management25-50 West Village Master Plan\05052026\05052026.dwg User: tmn Date: 4/3/2026 10:00 AM



PRELIMINARY
NOT FOR CONSTRUCTION



DATE	REVISIONS DESCRIPTION

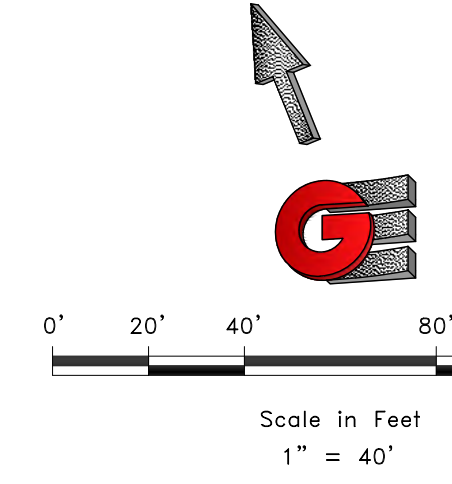
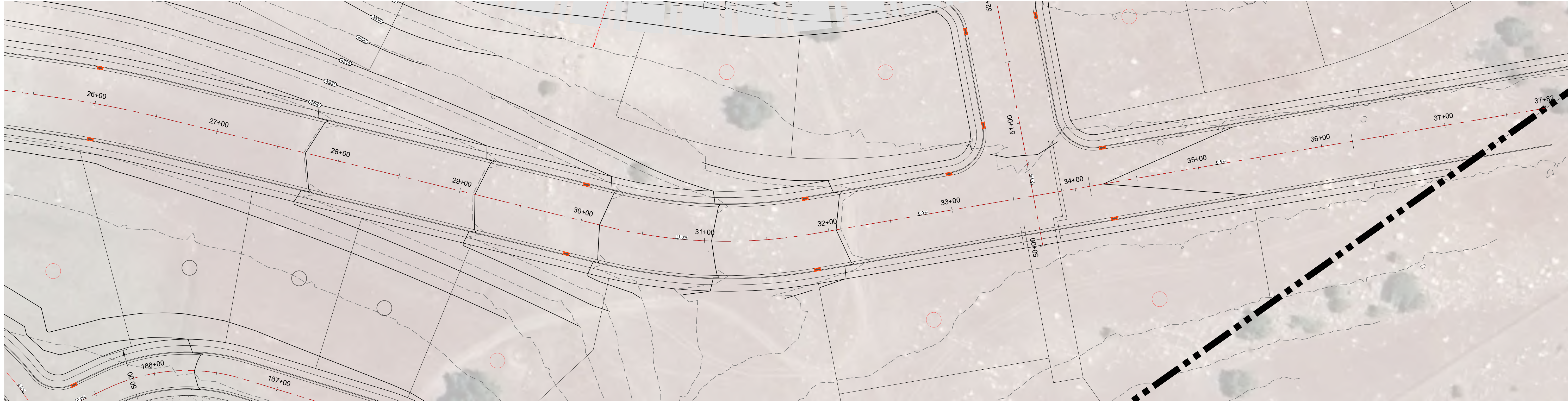
SCALE	DATE	DESIGN	DRAWN	CHECKED
1" = 40'	4-9-2026	WJS	WJS	TJM

PRELIMINARY PROFILE
WEST VILLAGE
MASTER PLAN V1
PLEASANT VIEW CITY, WEBER COUNTY, UTAH

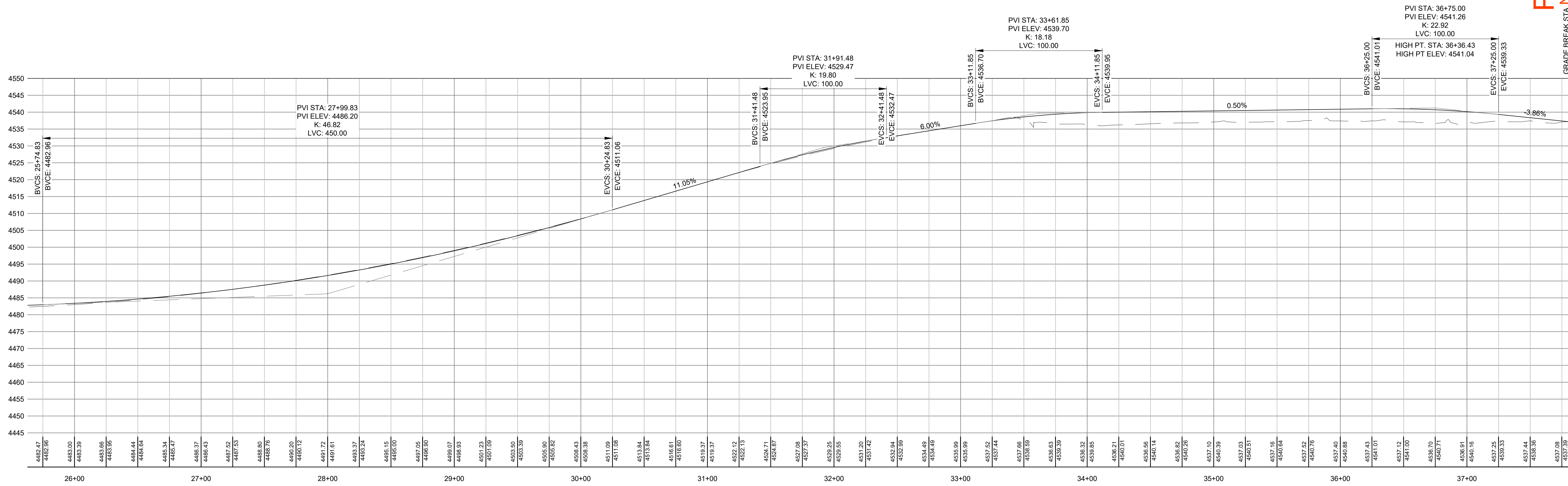
GARDNER ENGINEERING
CIVIL & LAND PLANNING
MUNICIPAL & LAND SURVEYING
1580 W 2100S, WEST HAVEN, UT 84401
P 801.476.0202 F 801.476.0066

PP2

4/3/2025 10:08:55 AM \\s01\eng\municipal\25\West Village Master Plan\DWG\Profile\Profile.dwg User: dtopolay 4/3/2025 10:08:55 AM

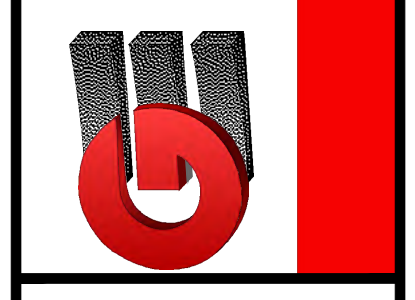


PRELIMINARY
NOT FOR CONSTRUCTION



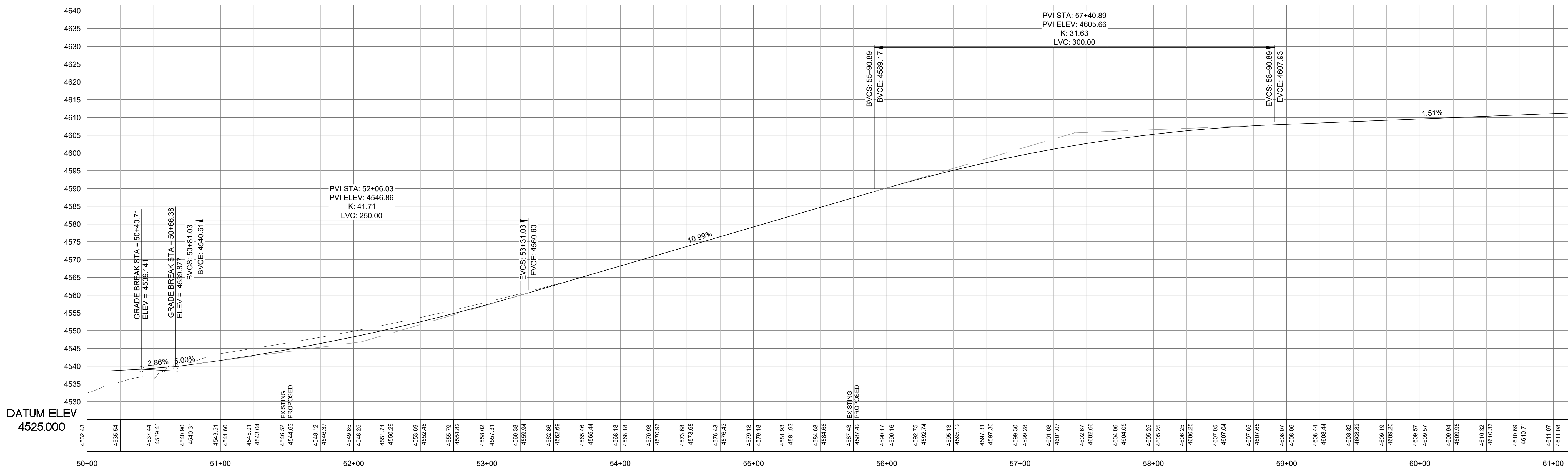
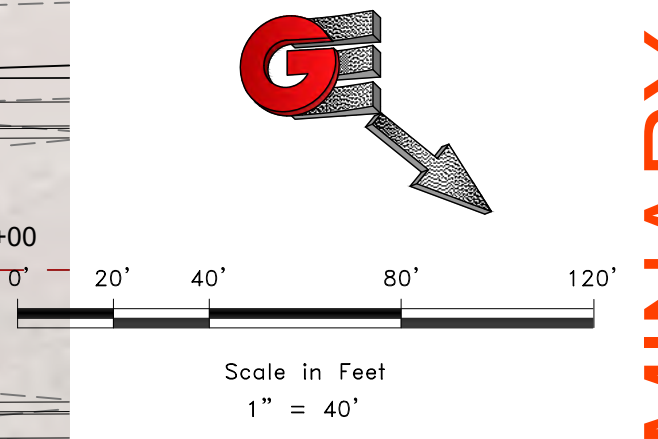
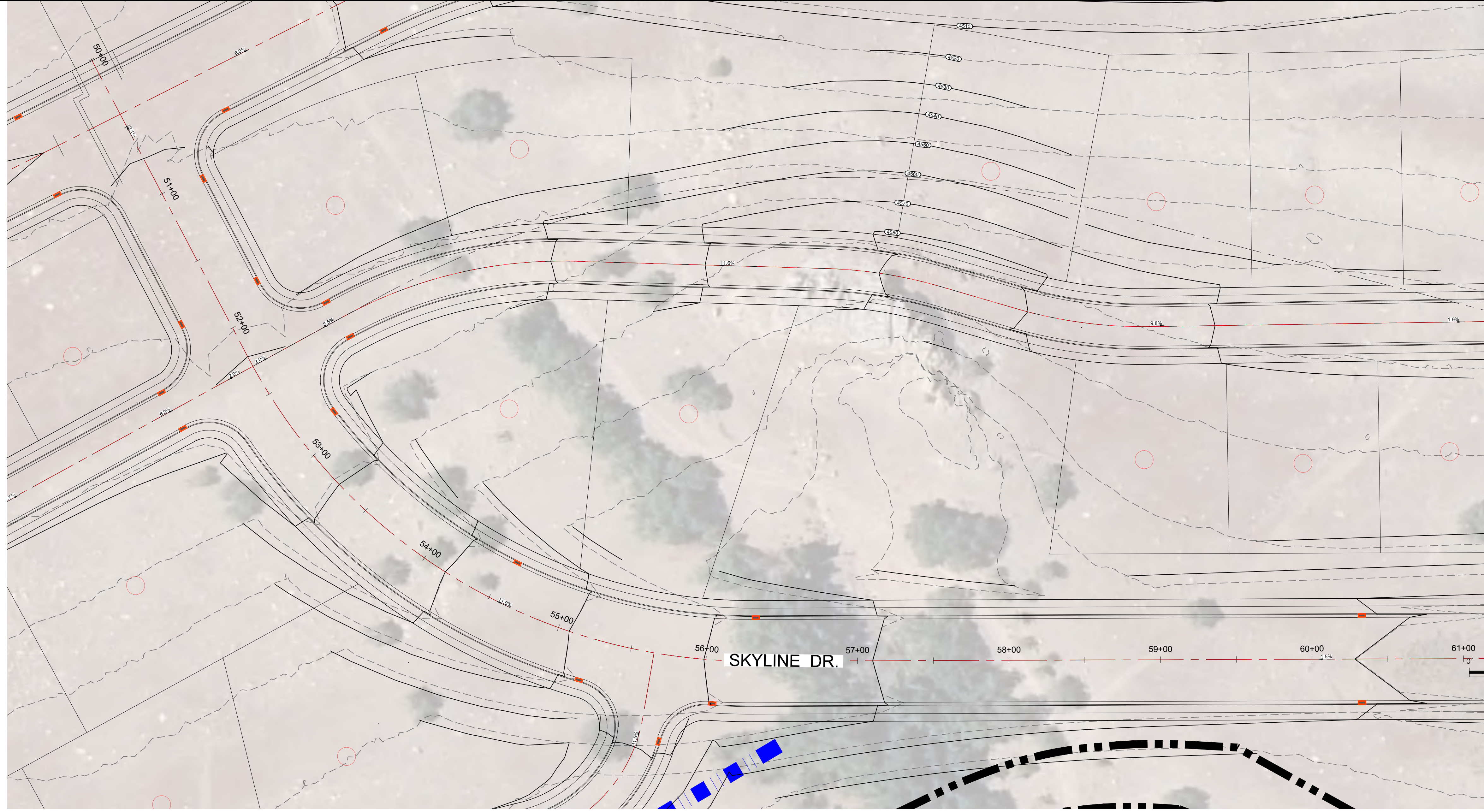
PRELIMINARY PROFILE WEST VILLAGE MASTER PLAN V1 PLEASANT VIEW CITY, WEBER COUNTY, UTAH		SCALE: 1" = 40' DATE: 4-9-2026 DESIGN: WJS DRAWN: WJS CHECKED: TMN
REVISIONS DATE DESCRIPTION	DWG: 23-2005 - W.L.D. - MANAGER/23-033 - WEST VILLAGE, PLEASANT VIEW/CITY/WEBER COUNTY, UTAH - WATER DESIGN.DWG	

GARDNER ENGINEERING
 CIVIL & LAND PLANNING
 MUNICIPAL & LAND SURVEYING
 1580 W 2100S, WEST HAVEN, UT 84401
 P 801.476.0202 F 801.476.0066



PP3

4/3/2025 1:00 PM Manager/23-033 - West Village Master Plan/23-033 - West Village, Pleasant View/City/Weber County, Utah - Water Design.dwg



PRELIMINARY
NOT FOR CONSTRUCTION

DATE	REVISIONS DESCRIPTION

DATE	REVISIONS DESCRIPTION

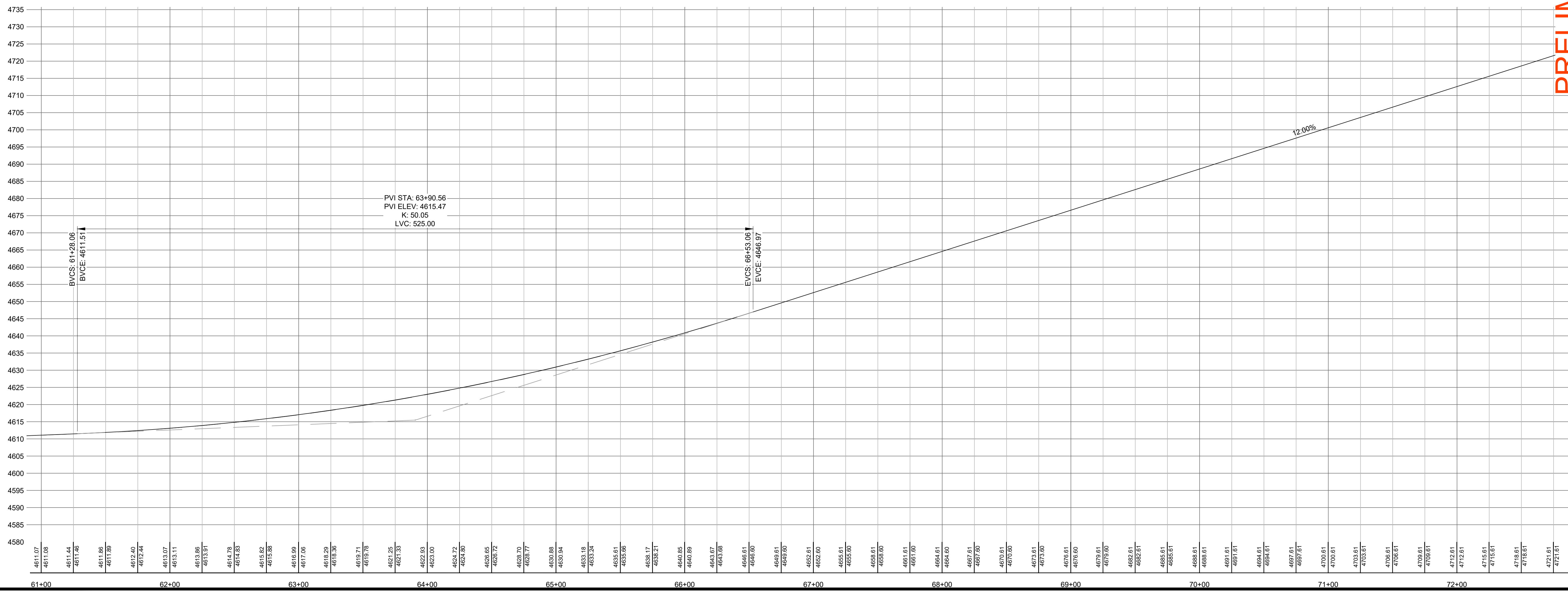
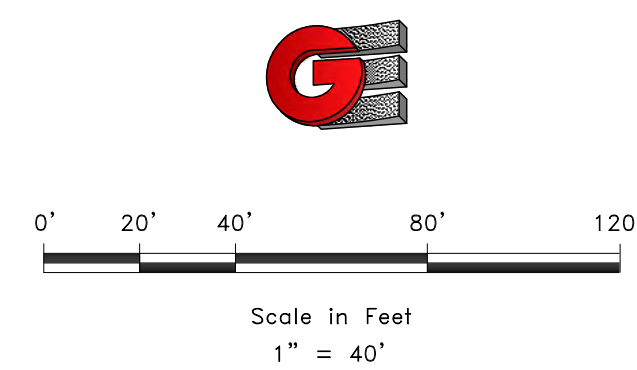
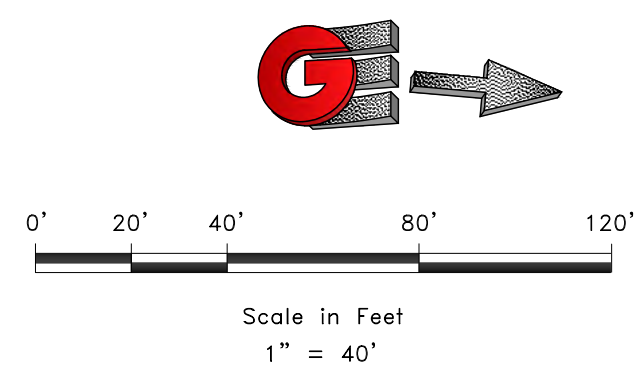
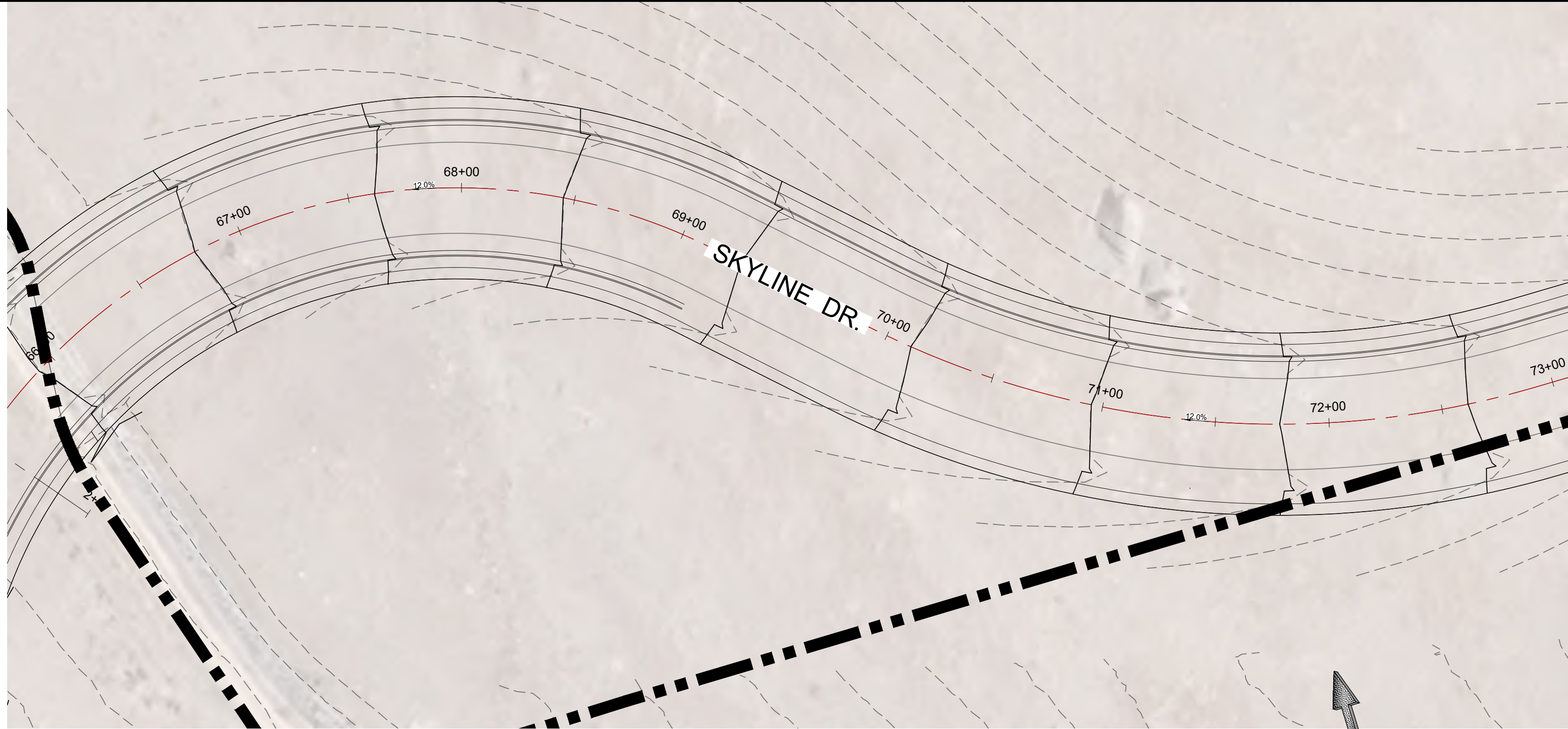
PRELIMINARY PROFILE
WEST VILLAGE
MASTER PLAN VI
PLEASANT VIEW CITY, WEBER COUNTY, UTAH

GARDNER ENGINEERING
CIVIL & LAND PLANNING
MUNICIPAL & LAND SURVEYING
1580 W 2100S, WEST HAVEN, UT 84401
P 801.476.0202 F 801.476.0066

PP4

SCALE: 1" = 40'
DATE: 4-9-2026
DESIGN: WJS
DRAWN: WJS
CHECKED: TMN
DWG: 153205 - M.U.D. MANAGEMENT/15-031-003 - WEST VILLAGE - PLEASANT VIEW/0205/03/04 - WATER DESIGN.DWG

153205 - West Haven/15-031-003 - West Village Master Plan/0205/03/04 - Water Design.dwg, 4/13/2026 10:01:11 AM



PRELIMINARY
NOT FOR CONSTRUCTION

REVISIONS	DATE	DESCRIPTION

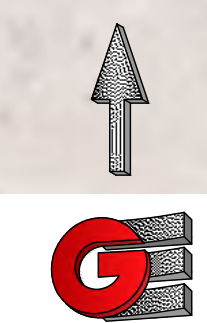
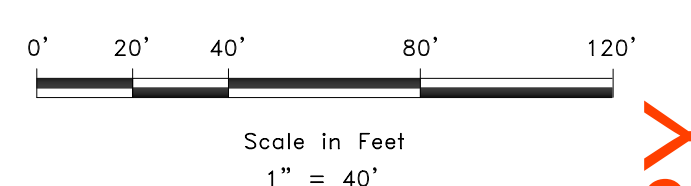
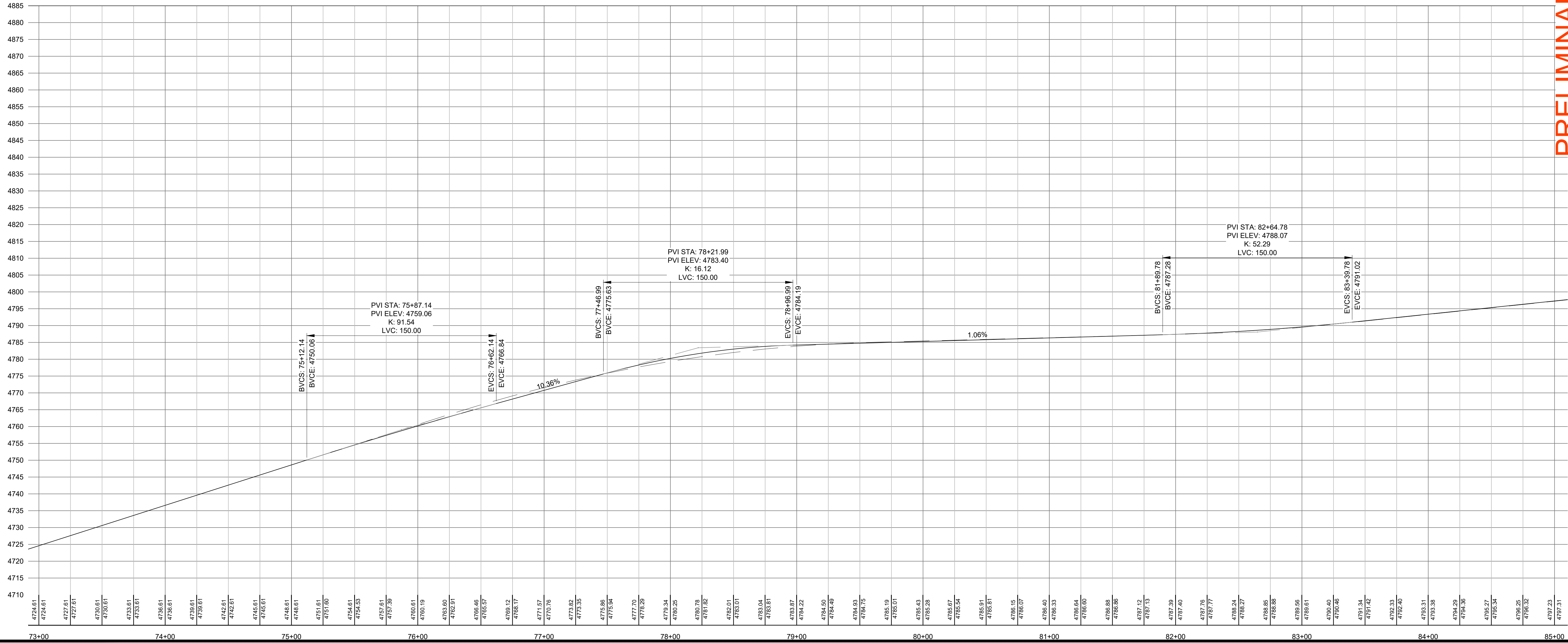
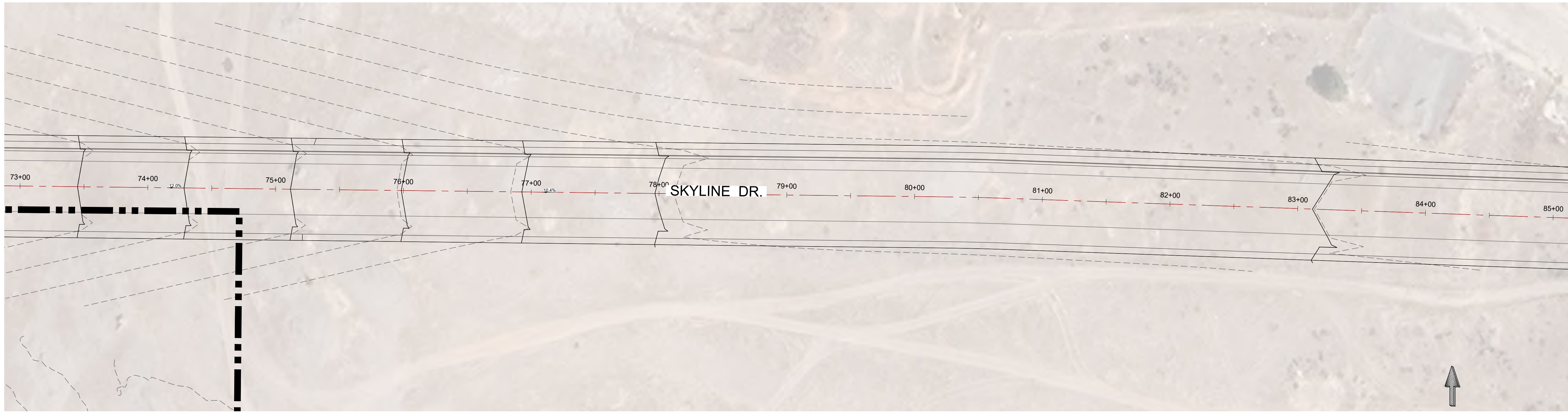
SCALE: 1" = 40'
DATE: 4-9-2026
DESIGN: WJS
DRAWN: WJS
CHECKED: TMN

PRELIMINARY PROFILE
 WEST VILLAGE
 MASTER PLAN V1
 PLEASANT VIEW CITY, WEBER COUNTY, UTAH

**GARDNER
ENGINEERING**
 CIVIL • LAND PLANNING
 MUNICIPAL • LAND SURVEYING
 1580 W 2100S, WEST HAVEN, UT 84401
 P 801.476.0202 F 801.476.0066



PP5



PRELIMINARY
NOT FOR CONSTRUCTION

REVISIONS	DESCRIPTION
DATE	

SCALE: 1" = 40'
DATE: 4-9-2026
DESIGN: WJS
DRAWN: WJS
CHECKED: TMN

DWG: 1580 W 2100 S - MILD. MANAGER/UT-317-317 WEST HAVEN, UTAH. 1580 W 2100 S - MILD. MANAGER/UT-317-317 WEST HAVEN, UTAH. 1580 W 2100 S - MILD. MANAGER/UT-317-317 WEST HAVEN, UTAH. 1580 W 2100 S - MILD. MANAGER/UT-317-317 WEST HAVEN, UTAH.

PRELIMINARY PROFILE
WEST VILLAGE
MASTER PLAN V1
PLEASANT VIEW CITY, WEBER COUNTY, UTAH

GARDNER ENGINEERING
CIVIL & LAND PLANNING
MUNICIPAL & LAND SURVEYING
1580 W 2100 S, WEST HAVEN, UT 84401
P 801.476.0202 F 801.476.0066



PP6

13.205 - Auto Intersected to 50' West Village Master Plan (05/20/2025) - West Intersecting - 4/13/2026 10:10:54 AM